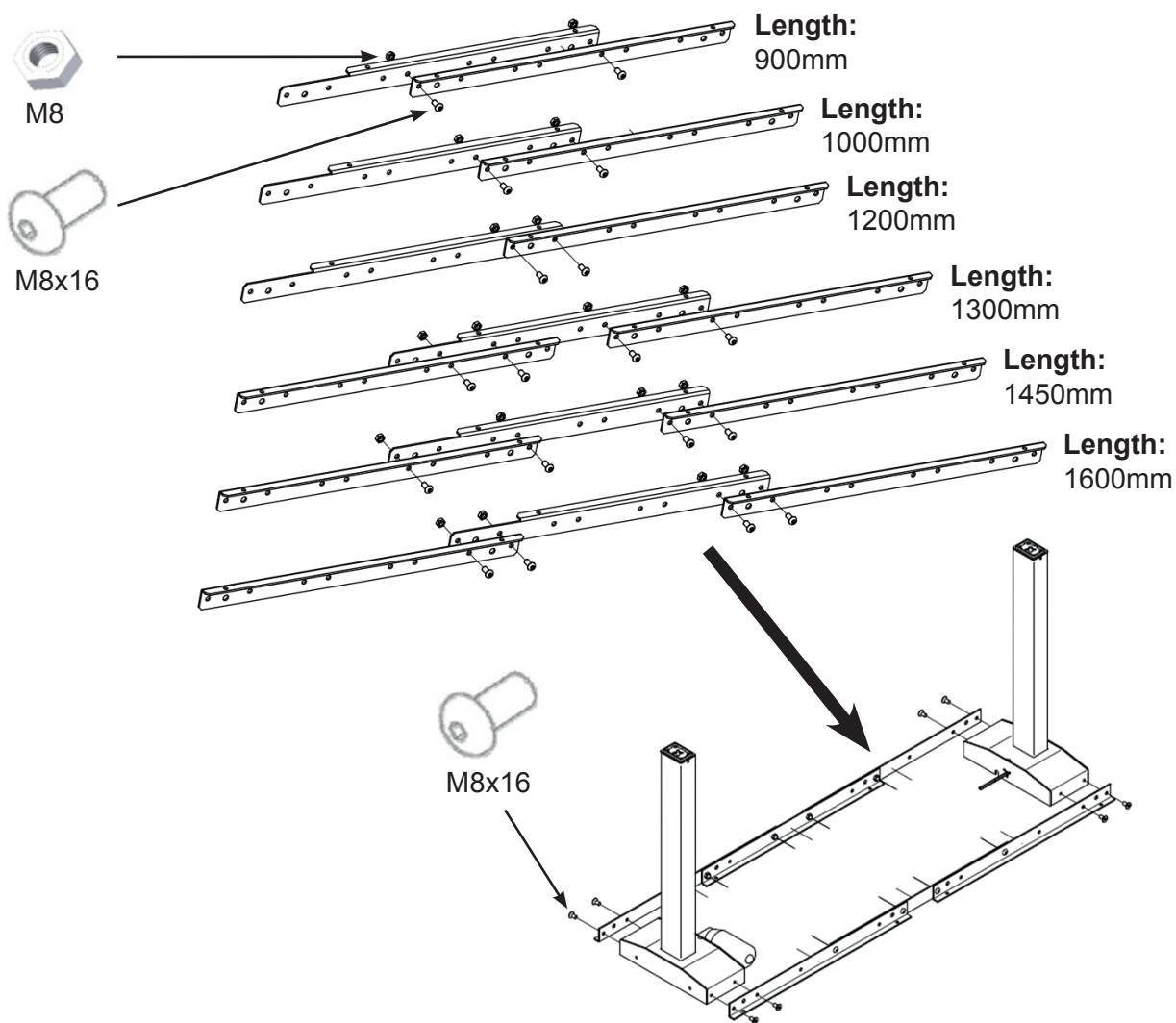


For more information,
please visit www.efg.info



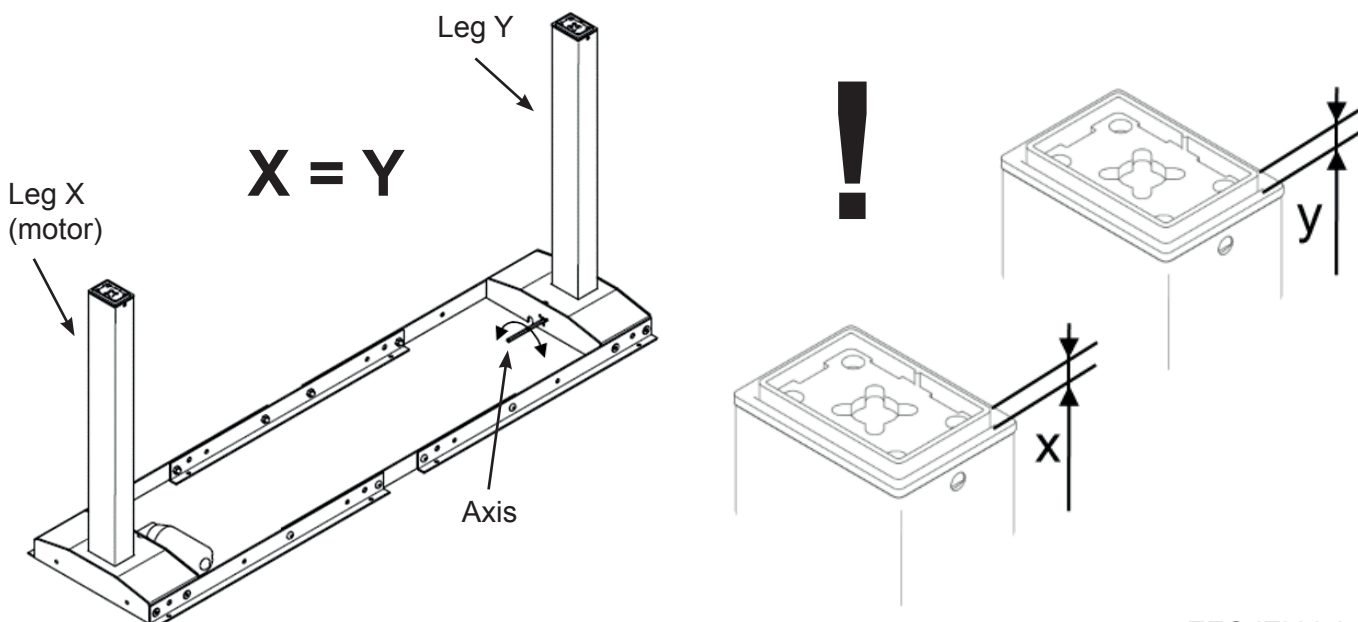
Step 1 - Assemble beam parts and beams to leg.

Assemble beam parts together with screws and nuts according to wanted length in illustration below. Mount the assembled beams to the frame.



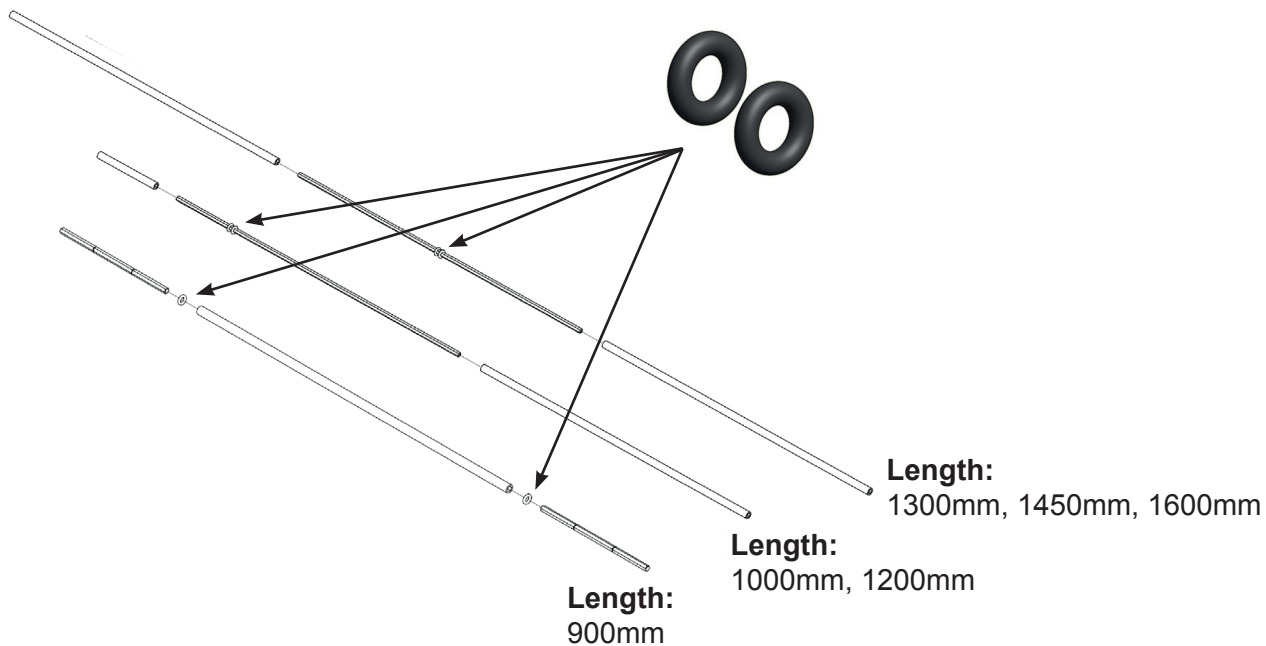
Step 2 - Level the legs.

IMPORTANT! The inner leg tube on Y-leg must match the inner leg tube on X-leg (Leg with motor). Adjust the level on Y-leg by turning the axis on the motor house.



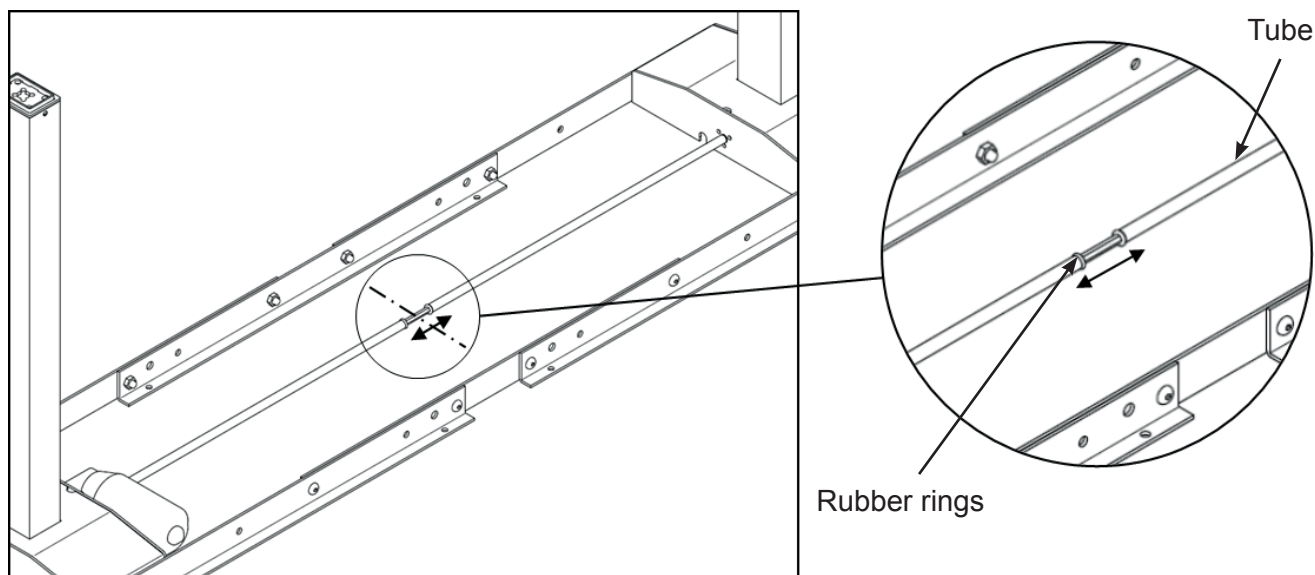
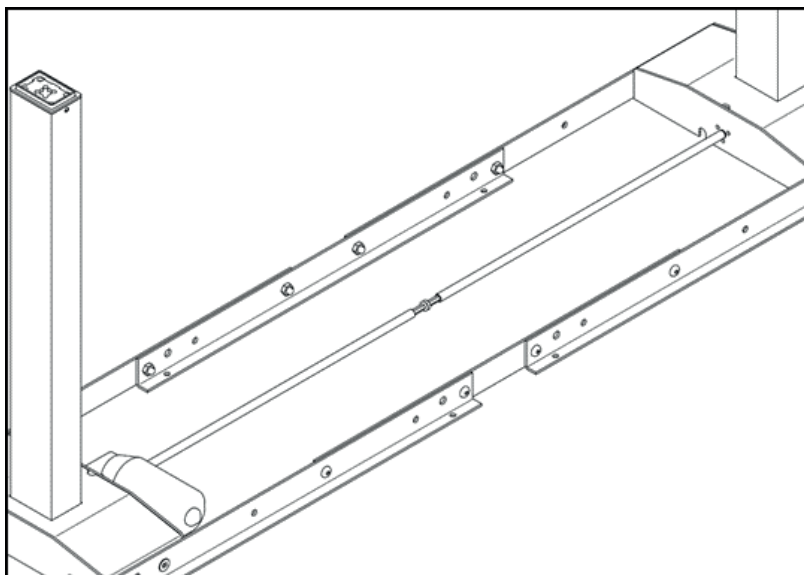
Step 3 - Assemble the driveline.

Assemble the parts for the driveline according to wanted beam length in illustration below.

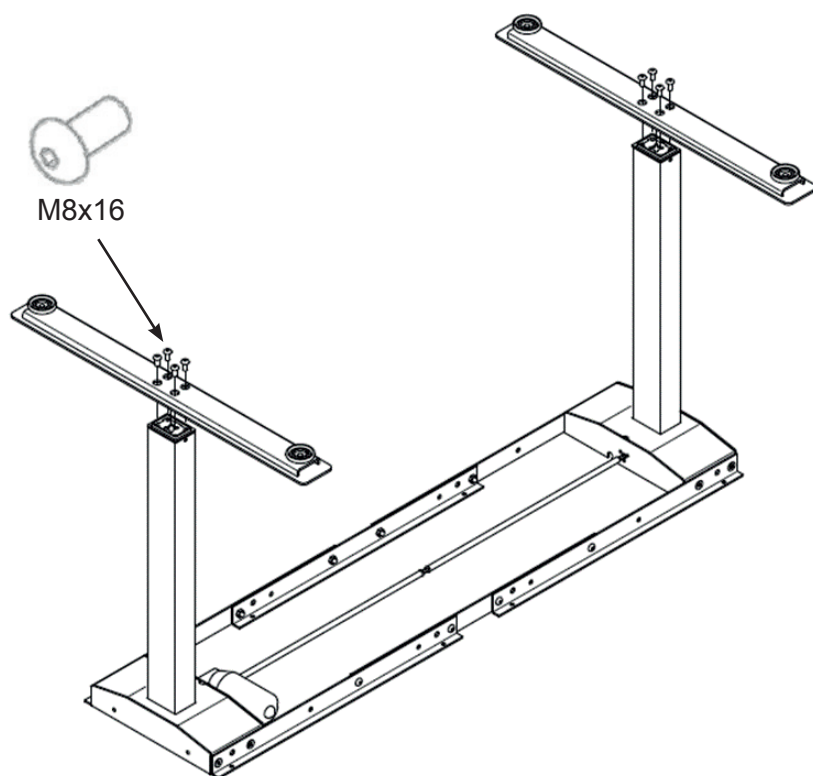


Step 4 - Assemble driveline to the frame.

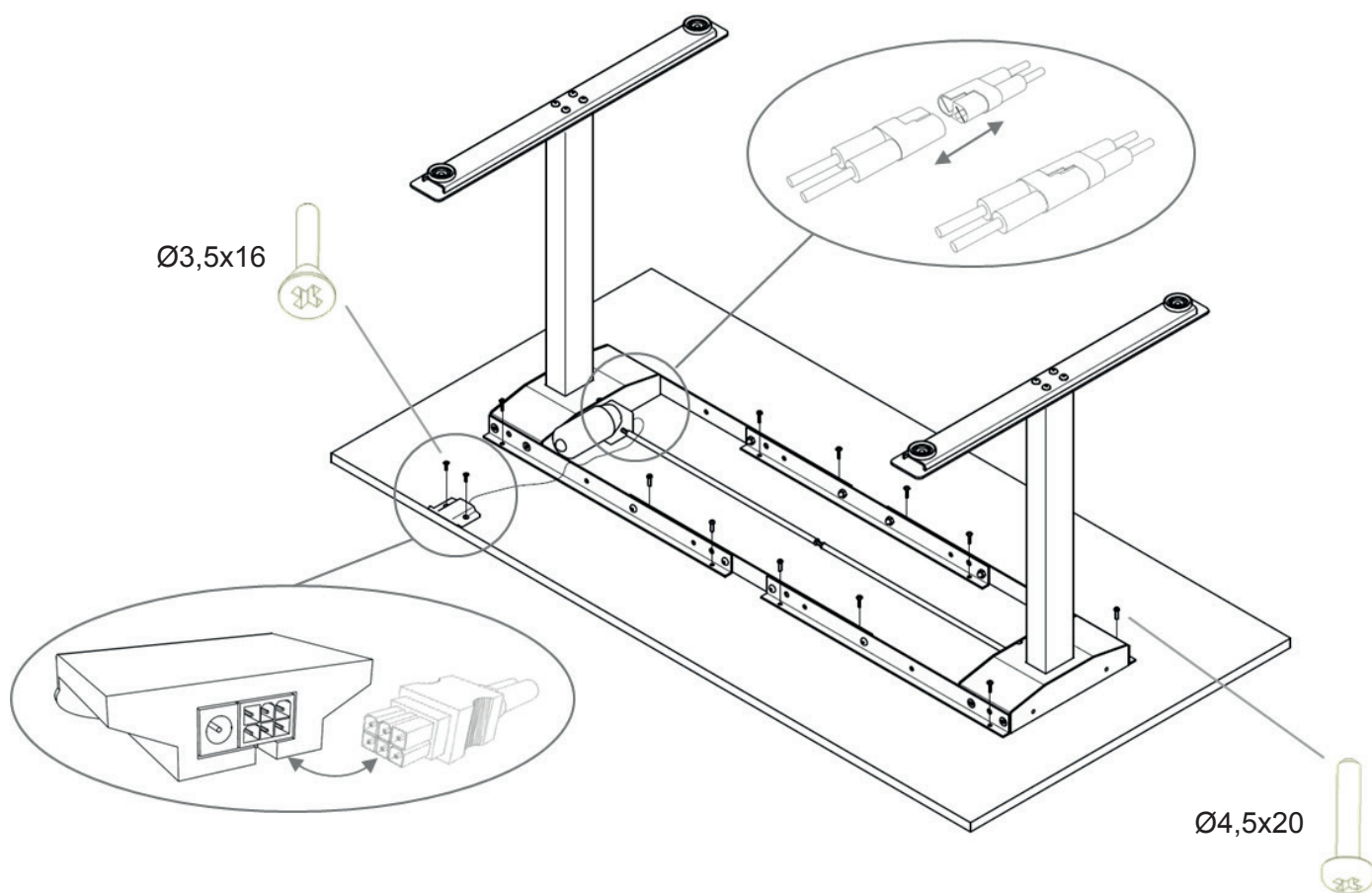
Connect the driveline between the axis on legs and finish off by fixating the tubes with the rubber rings, by pressing them towards the tubes.



Step 5 - Assemble the feet.



Step 6 - Mount frame to table top + hand control.



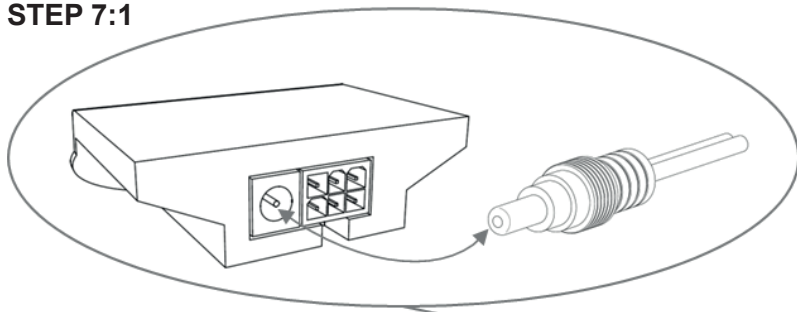
Step 7 - Observe.

Observe: Make sure every screw is tightened before use. Be careful not to tighten them too hard, this will damage the chipboard and the legs will not be fastened in a proper way.

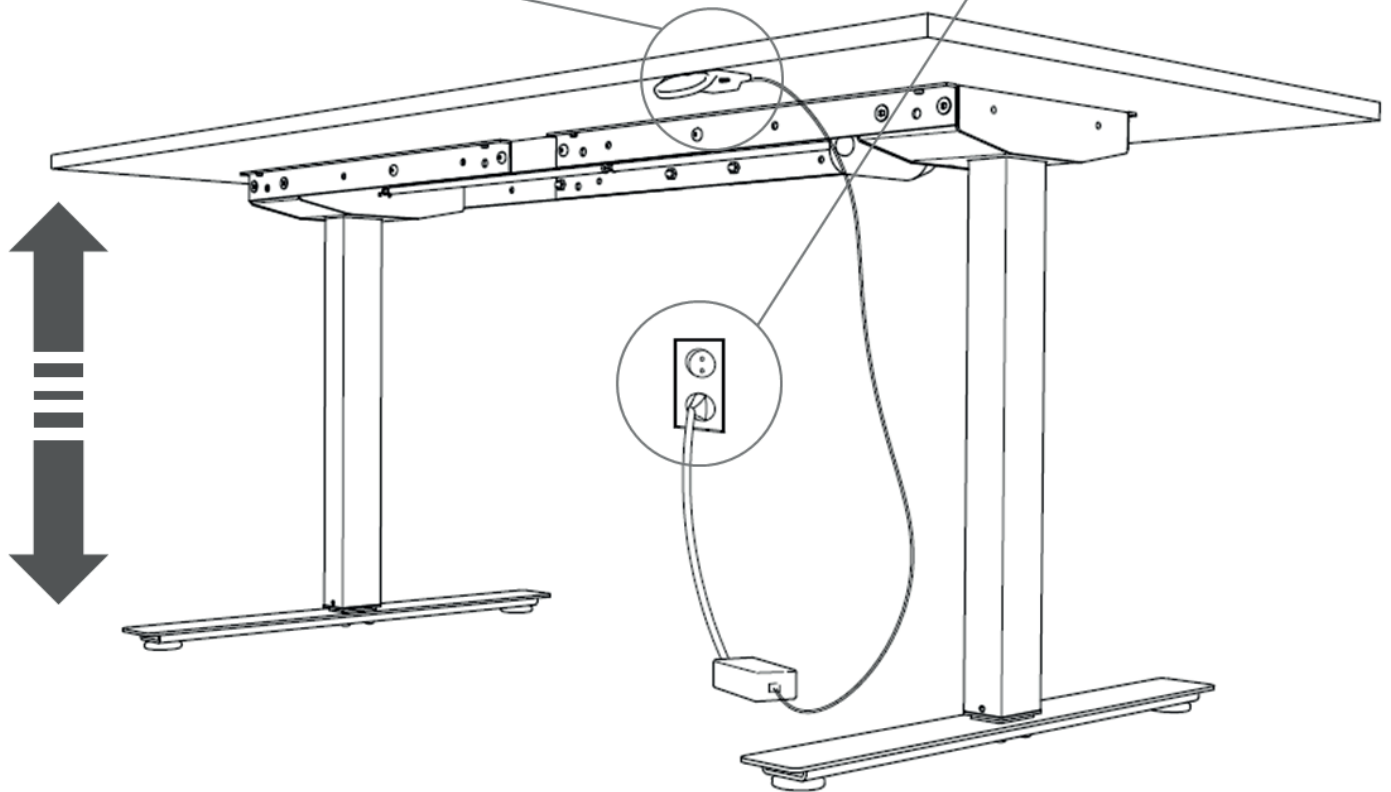
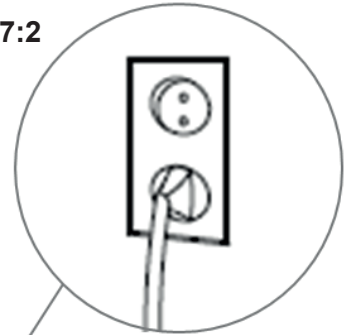
First plug in the cable to the hand control. Then turn the table around to standing position and plug the cable in to the wall.

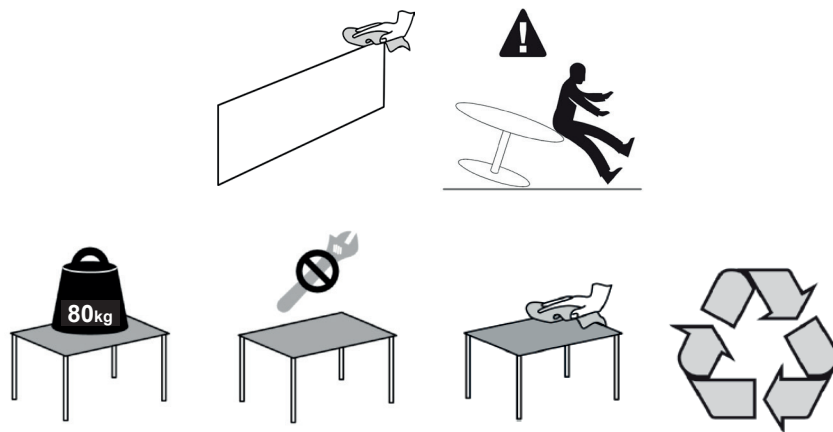
Ready to use!

STEP 7:1



STEP 7:2





The product contains one or more of following materials:
Metal, plastic, wood, fabric, foam.

Försäkran om överensstämmelse för maskiner/ Declaration of conformity

SE - EFG IZI Light överensstämmer med Maskindirektivet AFS 2008:3 och AFS 2009:5, European directive 2006/42/EG, EMC-direktiv 2004/108/EG och LVD 2014/35/EU.

UK - EFG IZI Light complies with the European directive 2006/42/EG, EMC-directive 2004/108/EG and LVD 2014/35/EU.

DK - EFG IZI Light er i overensstemmelse med European directive 2006/42/EG, EMC-directive 2004/108/EG og LVD 2014/35/EU.